

KOLLU PANO KİLİTLERİ

SWING HANDLES

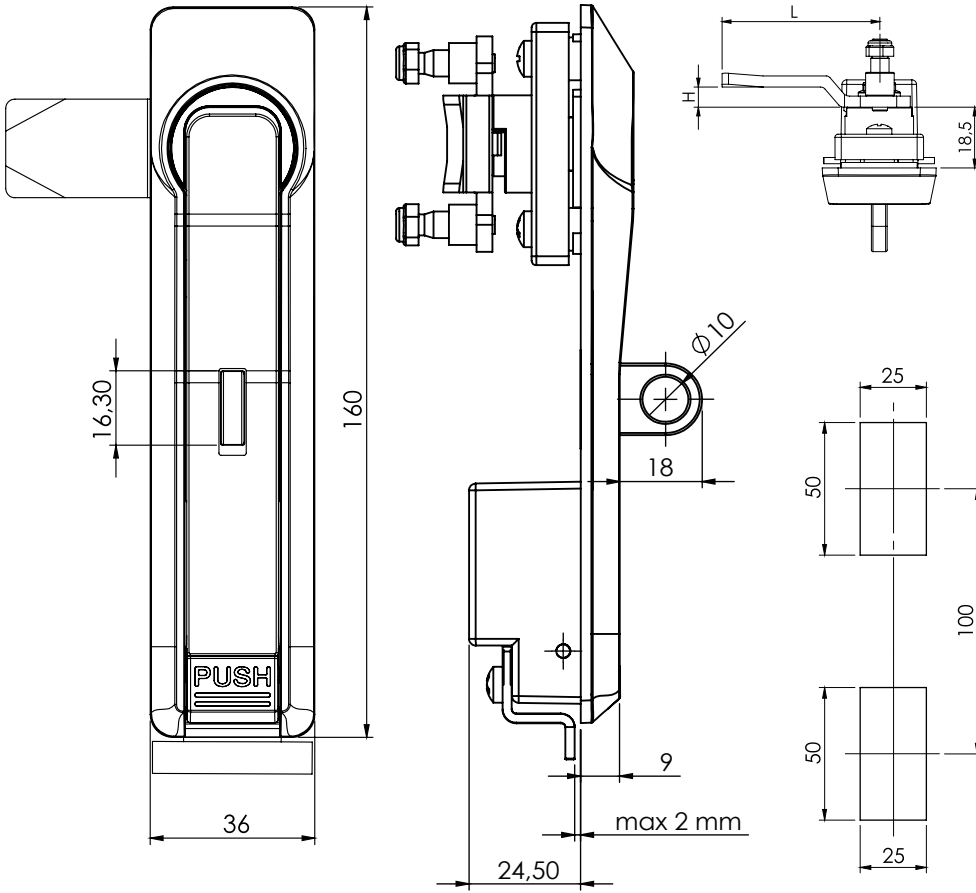
IP65

L / R



Kollu Pano Kilidi / Swing Handle

007-B



Kod Code	Gövde Body	Kol Handle	Dil Cam
007-B	1 F	1 F	CM

• Yüzey / Finishing
 • Malzeme / Material
 • Yüzey / Finishing
 • Malzeme / Material

KULLANIM ALANLARI:

Elektrik Panoları, Makine Kapakları,
Bilgisayar Kabinleri

APPLICATIONS:

Electric Panels, Machinery Covers,
Rack Cabinets

MALZEME / MATERIAL	CODE
Zamak / Zinc Die	1

İSP. TIRNAKLI DİLLER / CAMS FOR ROD CONTROL (CM)							
CODE	03	020	053	054	055	064	
H	8	0	0	12	4	0	
L	49	51	60	54	52	55	

TIRNAKLI DİLLER / CAMS WITH STOPPER (CM)													
CODE	01	02	05	06	07	08	09	010	019	043	045	046	086
H	14	24	0	16	6	12	0	7	0	0	4	10	6
L	48	48	46	46	52	50	54	44	64	44	43	48	62

YÜZEY / FINISHING	CODE
Krom Kaplama / Chrome Plated	1
Siyah Toz Boya / Black Powder Coated	2
Ral 7035 Toz Boya / Ral 7035 Coated	5

MALZEME / MATERIAL

GÖVDE BODY	Zamak Zinc Die
KOL HANDLE	Zamak Zinc Die
ASMA HAMİL PADLOCK DEVICE	Zamak Zinc Die
DİL CAM	Çelik Steel
CONTA SEAL	Poliüretan Polyurethane