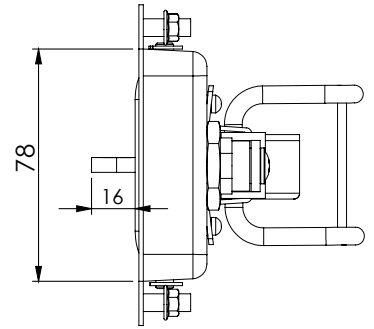
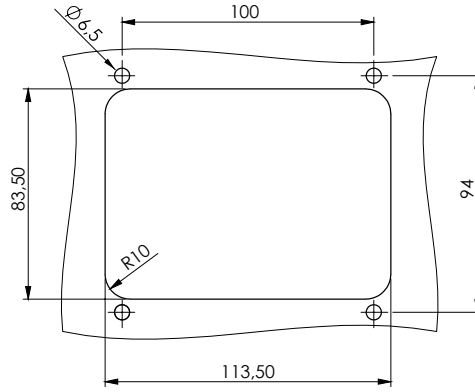
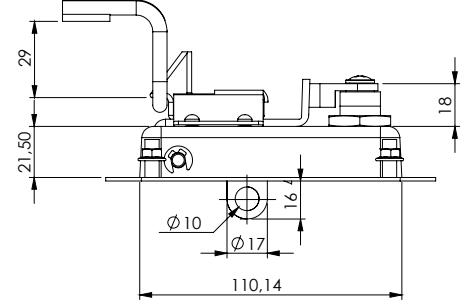
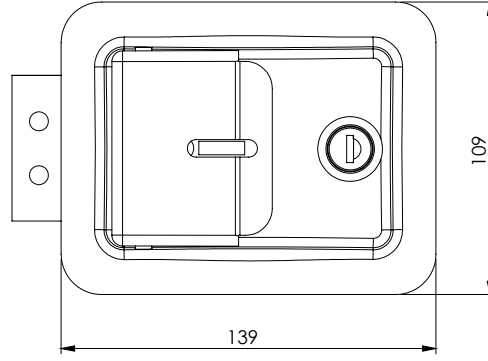


# KABİN KİLİTLERİ

PUSH TO CLOSE LOCKS

254

Kabin Kilidi (Asma Hamilli Kilit) / Push to Close Lock with Padlock Device



## KULLANIM ALANLARI:

Jeneratörler, Elektrik Panoları,  
Makine Kapakları, Kompresör

## APPLICATIONS:

Generators, Electric Panels,  
Machinery Covers, Compressors

### MALZEME / MATERIAL

GÖVDE BODY	Çelik Steel
KOVAN HOUSING	Zamak Zinc Die
BAREL CYLINDER	Zamak Zinc Die
ASMA HAMİL PADLOCK DEVICE	Çelik Steel
DİL CAM	Zamak Zinc die

Kod Code	Yüzey Finishing	Barel Cylinder
<b>254</b>	<b>F</b>	<b>CC</b>

### YÜZEY / FINISHING

YÜZEY / FINISHING	CODE
Krom Kaplama / Chrome Plated	1
Siyah Toz Boya / Black Powder Coated	2

### BAREL / CYLINDER TYPE (CC)

BAREL / CYLINDER TYPE (CC)	CODE
Aynı Şifreli / Keyed Alike	01
Farklı Şifre / Keyed Different	02
Eurokey (1333)	03