

# KOLLU PANO KİLİTLERİ

## SWING HANDLES

208-1

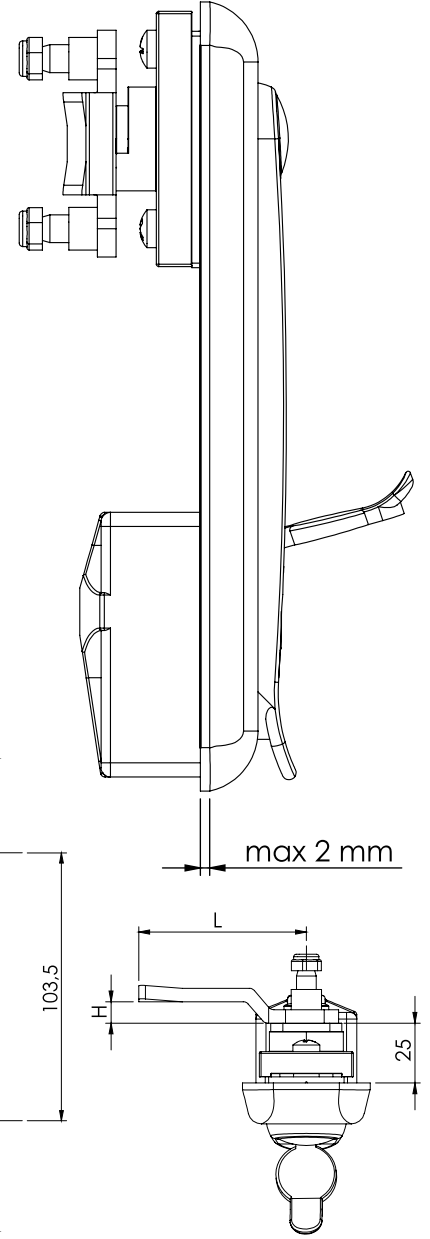
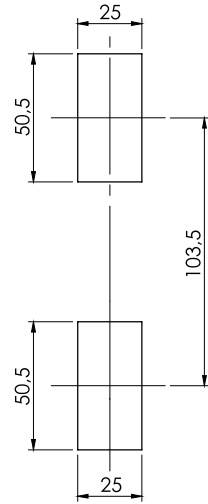
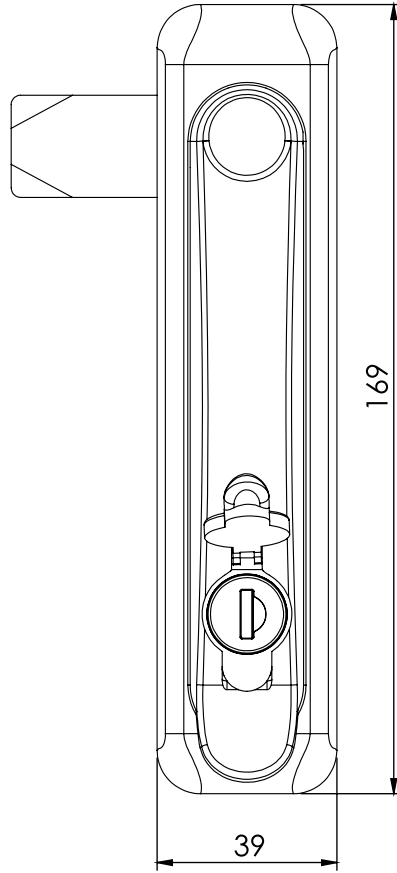
Kollu Pano Kilidi / Swing Handle

IP65

L / R



Asma Kilit  
Padlock Device Selectable



### KULLANIM ALANLARI:

Elektrik Panoları, Makine Kapakları,  
Bilgisayar Kabinleri

### APPLICATIONS:

Electric Panels, Machinery Covers,  
Rack Cabinets

MALZEME / MATERIAL	
GÖVDE BODY	Poliamid Polyamide
KOL HANDLE	Poliamid Polyamide
DİL CAM	Çelik Steel
CONTA SEAL	Poliüretan Polyurethane

Kod  
Code  
**208-1**

Barel  
Cylinder  
**CC**

Dil  
Cam  
**CM**

Asma Kilit İçin  
**A**  
Padlock Device

BAREL / CYLINDER TYPE (CC)		CODE
	Aynı Şifreli / Keyed Alike	01
	Farklı Şifre / Keyed Different	02
	Eurokey (1333)	03

İSP. TIRNAKLI DİLLER / CAMS FOR ROD CONTROL (CM)							
	CODE	03	020	053	054	055	064
	H	8	0	0	12	4	0
L	49	51	60	54	52	55	

TIRNAKLI DİLLER / CAMS WITH STOPPER (CM)														
	CODE	01	02	05	06	07	08	09	010	019	043	045	046	086
	H	14	24	0	16	6	12	0	7	0	0	4	10	6
L	48	48	46	46	52	50	54	44	64	44	43	48	62	

BAREL / CYLINDER TYPE (CC)		CODE
11	5 mm / DB	
	8 mm / Kare Square	
18	9 mm / Üçgen Triangle	