

# İSPANYOLET KOLLU PANO KİLİTLERİ

## SWING HANDLE LOCKS WITH ROD CONTROL SYSTEM

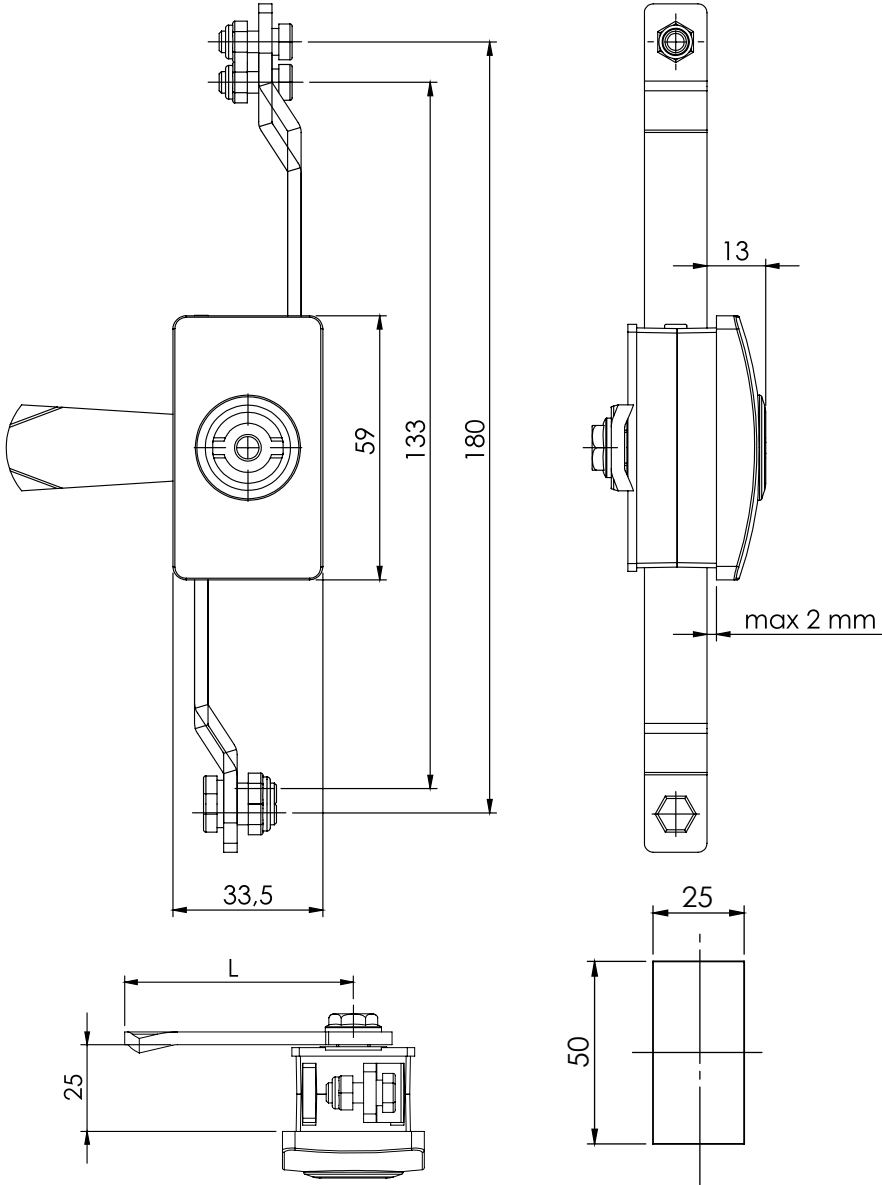
IP65

L / R



Kollu Pano Kilidi / Swing Handle

210



Kod  
Code  
**210**

Barel  
Cylinder  
**14**

Dil  
Cam  
**CM**

### KULLANIM ALANLARI:

Elektrik Panoları, Makine Kapakları,  
Bilgisayar Kabinleri

### APPLICATIONS:

Electric Panels, Machinery Covers,  
Rack Cabinets

### BAREL / CYLINDER TYPE (CC)

14

5 mm / DB



### TIRNAKSIZ DİLLER / CAMS WITHOUT STOPPER (CM)

CODE	01	02	05	06	07	08	09	010	019	043	045	046	086
H	14	24	0	16	6	12	0	7	0	0	4	10	6
L	48	48	46	46	52	50	54	44	64	44	43	48	62

### MALZEME / MATERIAL

GÖVDE BODY	Poliamid Polyamide
MEKANİZMA MECHANISM	Zamak Zinc Die
DİL CAM	Çelik Steel
CONTA SEAL	Poliüretan Polyurethane