

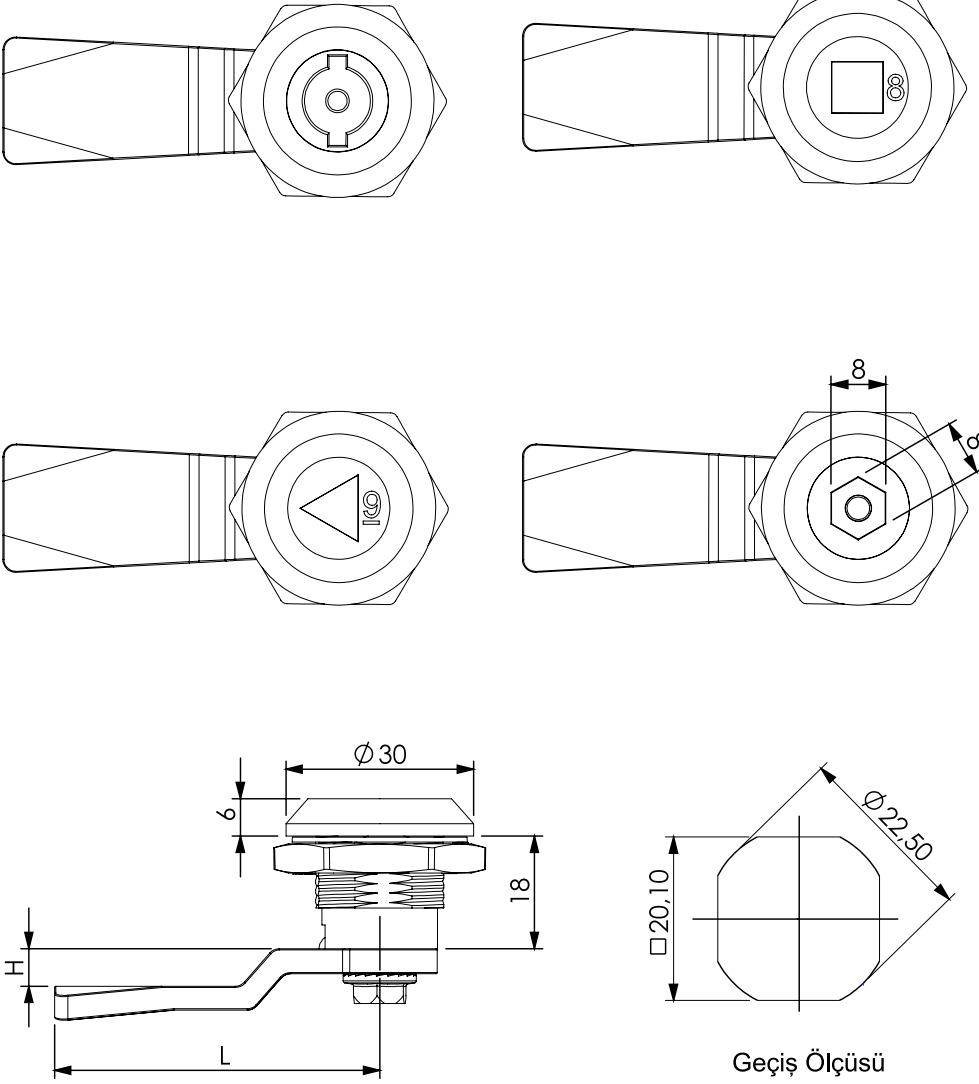
YAYLI PANO KİLİTLERİ

QUARTER TURN CAM LOCKS

IP65

Yaylı Pano Kilidi / Quarter Turn Cam Locks

201-PG



Kod
Code

Göbek
Cylinder

Dil
Cam

201-PG **CC** **CM**

BAREL / CYLINDER (CC)

	3 mm / DB	5 mm / DB	9 mm Üçgen/Triangle	6 mm Allen
10				
21				

İSP. TIRNAKLI DİLLER / CAMs FOR ROD CONTROL (CM)

CODE	03	020	053	054	055	064
H	8	0	0	12	4	0
L	49	51	60	54	52	55

TIRNAKLI DİLLER / CAMs WITH STOPPER (CM)

CODE	01	02	05	06	07	08	09	010	012	018	019	043	045	046	047	052	059	060	061	086
H	14	24	0	16	6	12	0	7	-12	0	0	0	4	10	-4	-2	15	12	5	6
L	48	48	46	46	52	50	54	44	50	29	64	44	43	48	46	52	44	44	45	62

KULLANIM ALANLARI:

Elektrik Panoları, Makine Kapakları

APPLICATIONS:

Electric Panels, Machinery Covers

MALZEME / MATERIAL

KOVAN HOUSING	Poliamid Polyamide
GÖBEK INSERT	Poliamid Polyamide
SOMUN NUT	Zamak Zinc Die
DİL CAM	Çelik Steel